

Arkane 1650/1650 TS

Special application
possible with Arkane



Arkane 1650/1650 TS

A. Differences between Arkane and Mistral

Top roller heated, mounting up to 5cm (2"), speed up to 6,3m/mn (21 ft/mn)...

All features for Mistral and Arkane are the same except :

- Higher temperature on the top roller from 20°C up to 140°C, (68 to 284°F)
- Different roller construction

Arkane 1650/1650 TS

1. Heating

Heat up to 140°C (284°F)

This temperature on the upper roller allows to use thermal laminates on one side for cheaper application, for instance in combination with a double sided cold adhesive or directly onto a mounted board.

Use of ultra low melt PVC and polyester lamination film - working T° at 90°C (190°F). Same characteristics as cold pvc laminate but linerless (so less wastage)

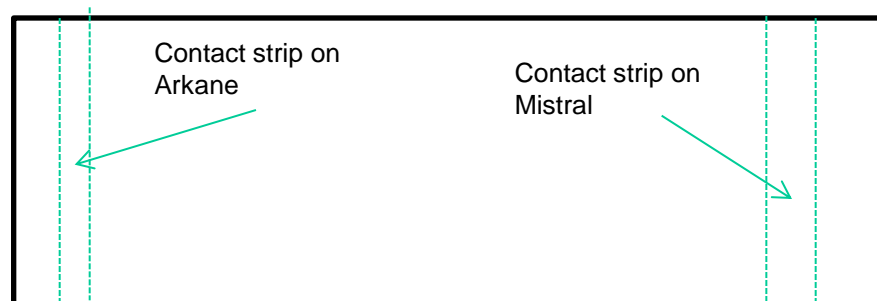
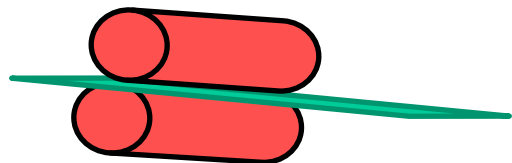
Arkane 1650/1650 TS

2. Roller construction

The structure of the silicon on Arkane is different than on Mistral.

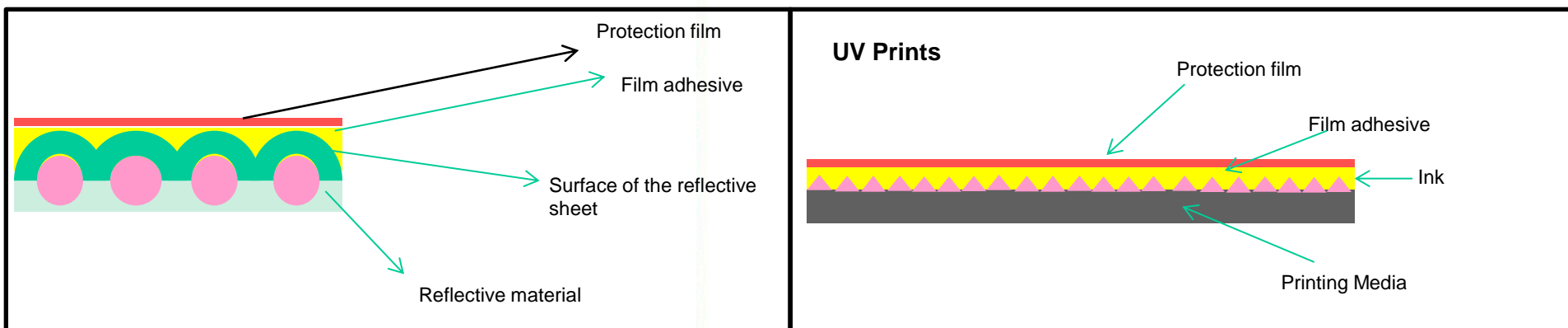
The rollers are harder on Arkane.

As a result, more pressure is applied on the media because the contact strip between the roller and the media is thinner. Pressure strength is the same supplied on both machines



Arkane 1650/1650 TS

More pressure delivered means the material is pressed more.
 This is the effect obtained onto reflective material (honey comb structure) or on UV prints.
 The adhesive tends to fill the gaps under the surface



Arkane 1650 / 1650 TS

Media installation

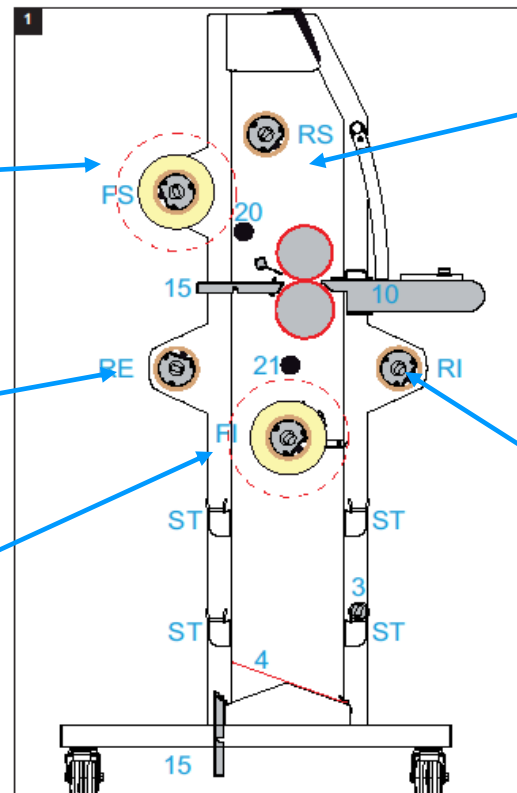
FS : Lamination film, application tape, colour vinyl, Low melt thermal lamination film ...

RE : Automatic print rewinding system

FI : Double sided adhesive, waste paper, roll of prints

RS : Take up for Lamination film protection liner

RI : Take up for Lamination film protection liner. Some industrial application double side adhesive also have 2 protection liner.



With a maximum diameter of 23cm, most type of 100 m reels of film can be installed on the laminator

Arkane 1650/1650 TS

Recommendation

All application where more pressure is required,
i.e. industrial use, films with higher grade of glue

Application with thermal film on one side

UV Print

Reflective material

